

9 Series Stainless Steel Door Switches



In or Out...we make it Easy!®



950P4 & 950P6
4-1/2" or 6" Button
(114.3mm or 152.4mm)



940NP
1-3/4" x 4-1/2"
(44.5 x 114.3mm)



940HP
2-3/4" x 4-1/2"
(69.8 x 114.3mm)



940NHP
1-3/4" x 4-1/2"
(44.5 x 114.3mm)



940P
2-3/4" x 4-1/2"
(69.8 x 114.3mm)



950HP4 & 950HP6
4-1/2" or 6" Button
(114.3mm or 152.4mm)

Features & Benefits

940

- Large 2-3/4" by 4-1/2" faceplate fits all 2" x 4" switch boxes
- Available in "Handicap" symbol styles (940H, 940NH)
- Momentary action switch standard
- Stainless steel faceplate
- Narrow versions are compatible with 1-3/4" door frame profiles
- Available in French, Spanish and blank versions
- Tamper resistant

950

- 950-4 model features large 4-1/2" (114.3mm) diameter button with faceplate designed for 2" x 4" (50.8 x 101.6mm) switch boxes
- 950-6 model features large 6" (152.4mm) diameter button with faceplate designed for 4" x 4" x 1-1/2" (101.6 x 101.6 x 38.1mm) junction boxes
- Available in "Handicap" symbol styles (950H4, 950H6)
- Momentary action switch standard
- Stainless steel faceplate
- Available in French, Spanish and blank versions

Stainless Steel Switches

These popular stainless steel switches meet the highest construction and performance standards. Dependable, responsive and easy to install, these assisted door switches are ideal for a broad range of door automation applications.

In addition to the regular faceplate size, model 940 features a narrow faceplate for mounting on door frames. Model 950 comes in the standard 4-1/2" (114.3mm) diameter as well as a handy 6" (152.4mm) diameter for high visibility and easy use.

Optional Mounting Accessories

940

- SUR** Surface mount box (940P/940HP)
Standard finish: Brown
- SUR-N** Narrow surface mount box (940NP/940NHP)
Standard finish: Black

950

- SUR-4** Surface mount box (950P4/950HP4)
Standard finish: Brown
- SUR-6** Surface mount box (950P6/950HP6)
Standard finish: Brown

Highlights

- Debossed and Filled Exit & Handicapped Legends
- Stainless Steel
- Tamper-Resistant
- Ideal for Vandal-Prone Areas
- 2-Year Limited Warranty

Applications

- Handicap Areas
- Vandal-Prone Areas
- Vestibules
- Storefront
- Commercial
- Industrial
- Health Care

Options

940/950

- DMO** DPDT Momentary Switch
- WRMO** Weather resistant momentary (940 only)

950

- ESC-4** Escutcheons (for 950P4/950HP4)
- ESC-6** Escutcheons (for 950P6/950HP6)
- WMN** Wire-Mold Notch (for escutcheons)

Special Finishes

- 3** Polished brass
- 4** Brushed brass



In or Out...we make it Easy!®

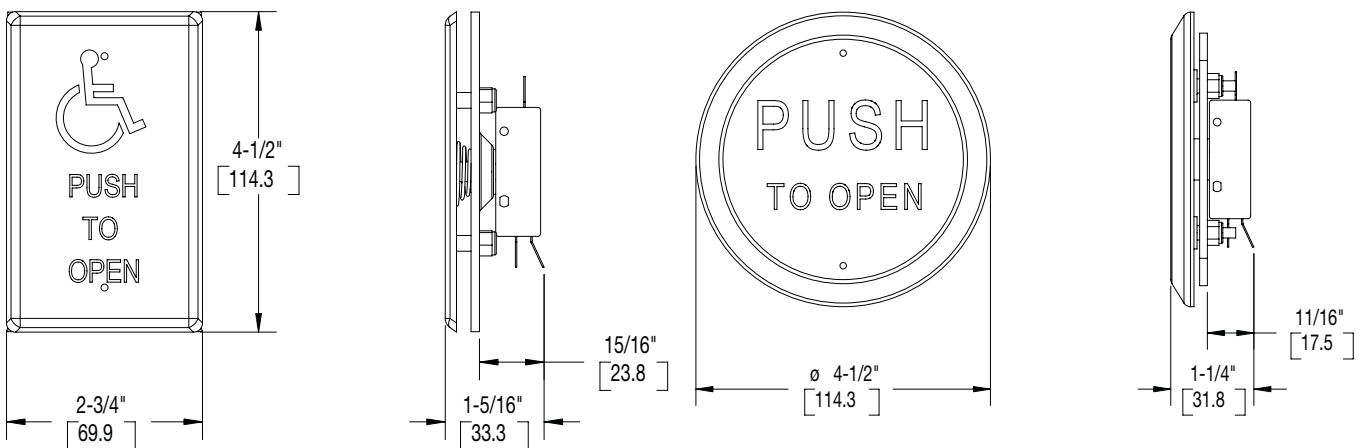
Description	Switch Mode	Switch Configuration	Switch Rating	Standard Finish
940P-MO Exit Button	Momentary Action	SPDT	10A @24V UL/CSA	32D
940NP-MO Exit Button (Narrow)	Momentary Action	SPDT	10A @24V UL/CSA	32D
940HP-MO Handicap	Momentary Action	SPDT	10A @24V UL/CSA	32D
940NHP-MO Handicap (Narrow)	Momentary Action	SPDT	10A @24V UL/CSA	32D
950P4-MO Exit Button	Momentary Action	SPDT	10A @24V UL/CSA	32D
950P6-MO Exit Button	Momentary Action	SPDT	10A @24V UL/CSA	32D
950HP4-MO Handicap	Momentary Action	SPDT	10A @24V UL/CSA	32D
950HP6-MO Handicap	Momentary Action	SPDT	10A @24V UL/CSA	32D

NOTE: Specifications are subject to change without notice.

Profiles

940

950-4



RCI also offers a complete line of Electromagnetic Locks, Electric Locks, Electric Strikes, Power Supplies, Keypads & Readers, Exit Devices, Systems & Door Hardware